

The brand new XS4 wireless network is the next generation of on-line access control systems developed by SALTO.

It combines the efficiency of both on-line and off-line applications in a single system.

Its functionality is based on connecting battery powered electronic escutcheons by means of low consumption radio receivers (2,4GHz) which are inside the escutcheons.

These interact with XS4 wireless gateways, which are connected by Ethernet connection to a central computer or via XS4 repeaters that are fitted in pre-defined areas to provide a real time wireless access control network.

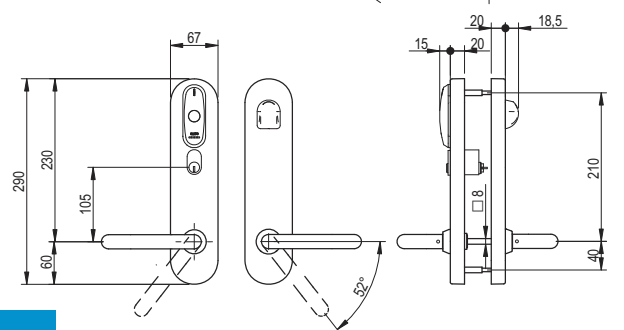
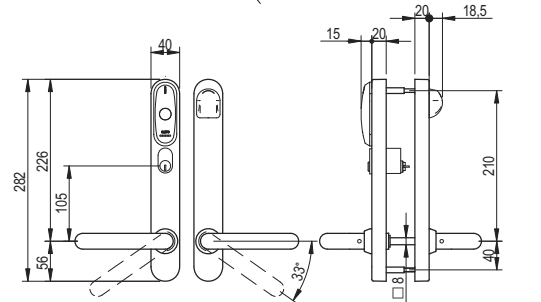
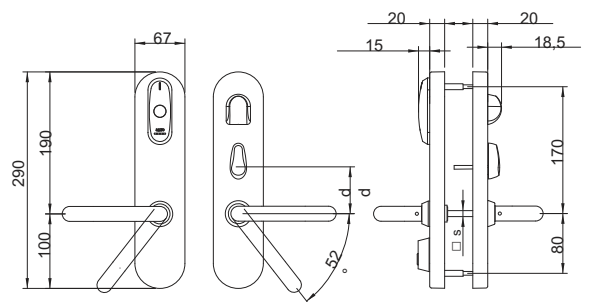
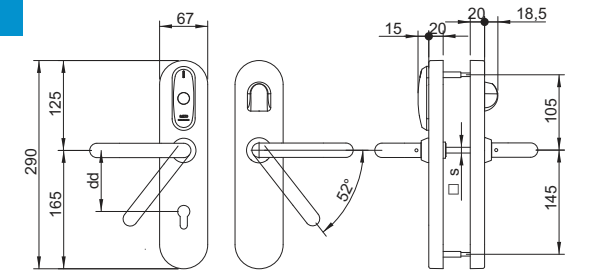
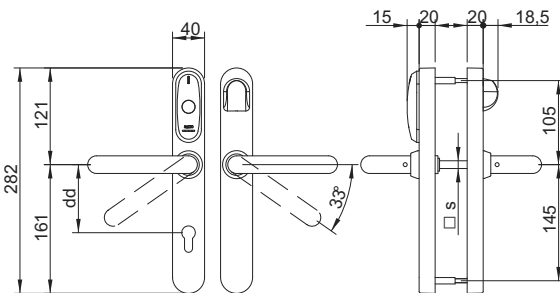
This provides users with the ability to monitor doors in real time, providing a level of security control that has never been possible with battery powered access systems - until now.

## System description

- Wireless Radio Frequency based on IEEE 802.15.4 at 2,4Ghz.
- AES 128bits encryption.
- System managed through Pro Access SQL or HAMS SQL software.
- ID technologies available: Mifare/DESfire, Inside Picopass and HID iClass XS4 series.
- Self-organizing capabilities, the escutcheons automatically organize their structure in order to build up the RF connections
- Self-healing capabilities, the escutcheons automatically scan for a new connection in any repeater or gateway loses RF connection.
- SALTO Virtual Network technology included. The escutcheons will continue working, granting access control via SVN technology if the data network crashes or the PC is disconnected.

## Escutcheon features

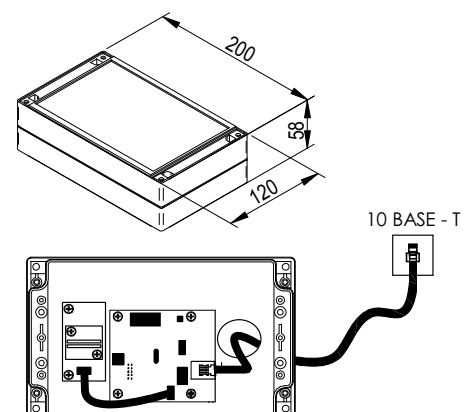
- Wireless Radio Frequency based on IEEE 802.15.4 at 2,4Ghz.
- AES 128bits encryption.
- Stand alone escutcheons can be upgraded to wireless system\*.
- ID technologies available: E9000 XS4 series.
- Self-organizing capabilities.
- Self-healing capabilities.
- Battery powered : 3 batteries LR03 AAA 1.5V for the narrow models.  
3 batteries LR6 AA 1.5V for wide models.
- Firmware update via PPD.
- Completely integrated with the SALTO platform. Works off-line with SALTO Virtual Network technology if network communication with the computer fails.
- 1000 event audit trail back up if contact with the PC is lost.



## Gateway features

The gateway is the link between the PC and the wireless network. Completely managed through SALTO Pro Access SQL or HAMS SQL software, it collects all the information sent by the repeaters and escutcheons that belong to the gateway.

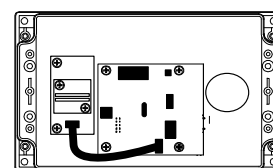
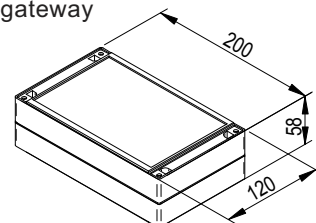
- Wireless Radio Frequency based on IEEE 802.15.4 at 2,4Ghz.
- AES 128bits encryption.
- Connection to the PC RJ45 Ethernet.
- Voltage required 12V (adapter included).
- Can manage up to 4 repeaters and 16 locks.
- RF range: 30 meters.
- Firmware update via software through Ethernet connection.



## Repeater features

The repeater is a bridge between the gateway and other repeaters or escutcheons, where the distance to the escutcheon or where the number of escutcheons that must be linked to the gateway exceeds what is possible with a single gateway.

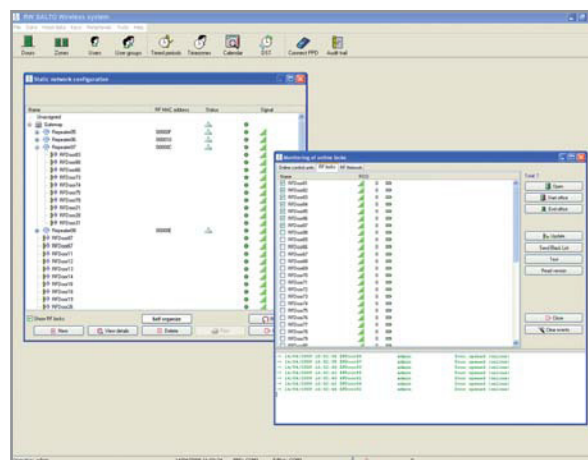
- Wireless Radio Frequency based on IEEE 802.15.4 at 2,4Ghz.
- AES 128bits encryption.
- Connection to the gateway and escutcheon through RF.
- Voltage required 12V (adapter included).
- Can manage up to 4 repeaters and 16 escutcheons.
- RF range: 30 meters.
- Firmware update through PPD.



## Software features

The SALTO wireless system is managed through state-of-the-art Pro Access or HAMS SQL software. It enables users to manage a complete wireless network and all existing SALTO off-line escutcheons. With a single click of a mouse you can configure or make changes to the network in real time as only the gateways and repeaters have to be set-up, the escutcheons will be configured automatically through their self-organizing capabilities. You can then monitor the network, download audit trail information from the escutcheons, delete user access rights, collect battery status of the RF escutcheons and much more all from a single PC and all in real-time.

- Versions available SALTO NPAcon, NPAconSH, NPADEP, NPADEPSH, NHACON, NHACONSH, NHADEP, NHADEPSH
- Needs SQL express or SQL server 2008, 2005.
- USB ports required.
- Connection to the gateways through RJ45 Ethernet.
- Operating system: Windows Vista, XP 98, Millenium, 2000, NT, 4.0
- Up to 64 000 users and 64 000 devices.



## Certificates

**CE compliant**  
**FCC compliant**

**SALTO**  
inspired**access**

### Salto Systems HQ

C/Arkotz N°9 Pol. Lanbarren 20180 - Oiartzun Gipuzkoa Spain  
Tel.: (34)943 344 550 - Fax: (34) 943 341 621 -  
info@saltosystems.com - www.saltosystems.com

### Salto International

Salto Systems Inc, Atlanta - Salto Systems Ltd, Birmingham  
Salto Asia-Pacific, Kuala Lumpur - Salto Canada, Montreal - Salto Mexico, Cancún  
Salto Middle East, Abu Dhabi - Salto Portugal, Oporto